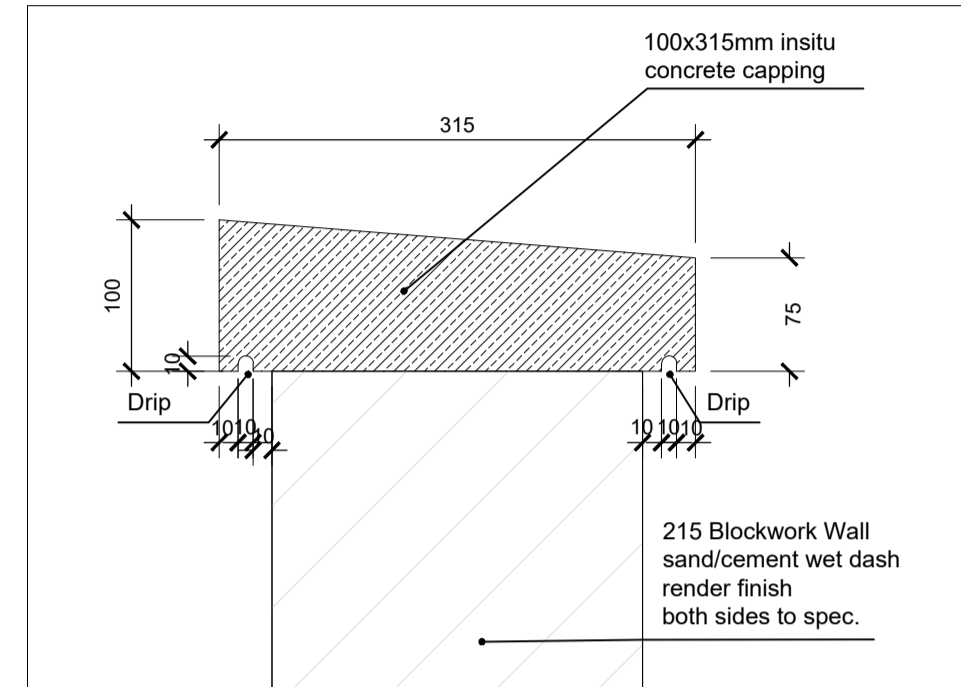
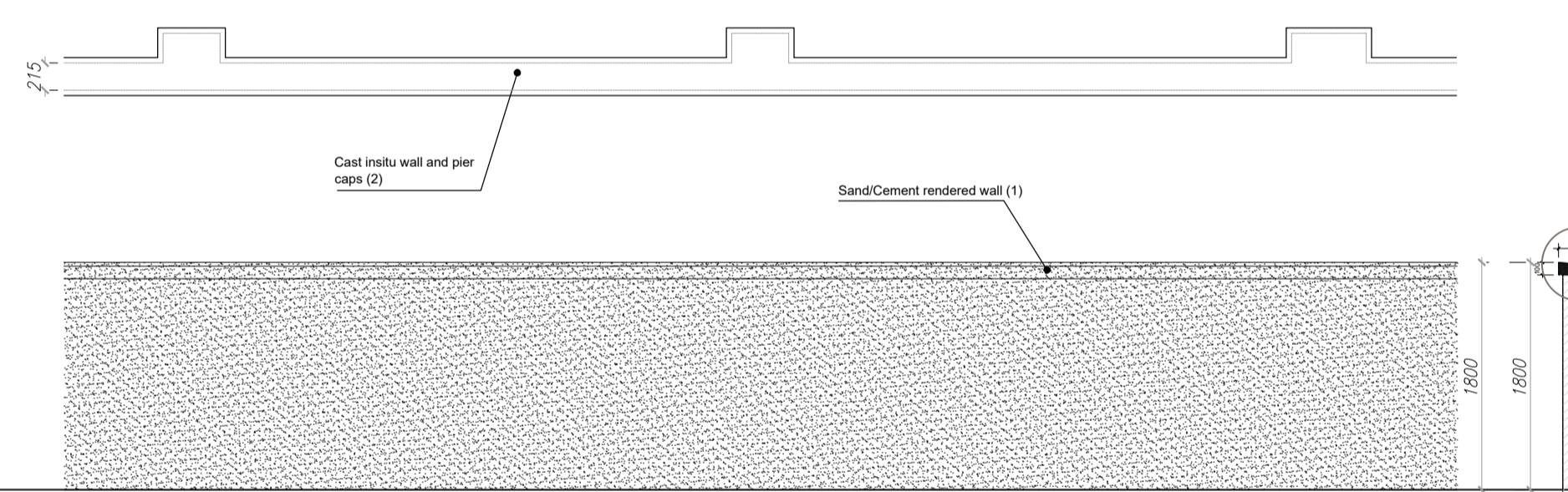


**BOUNDARY TYPE B**  
2000mm High High Rendered Wall with Recessed Piers to rear of Gardens

Scale 1:50

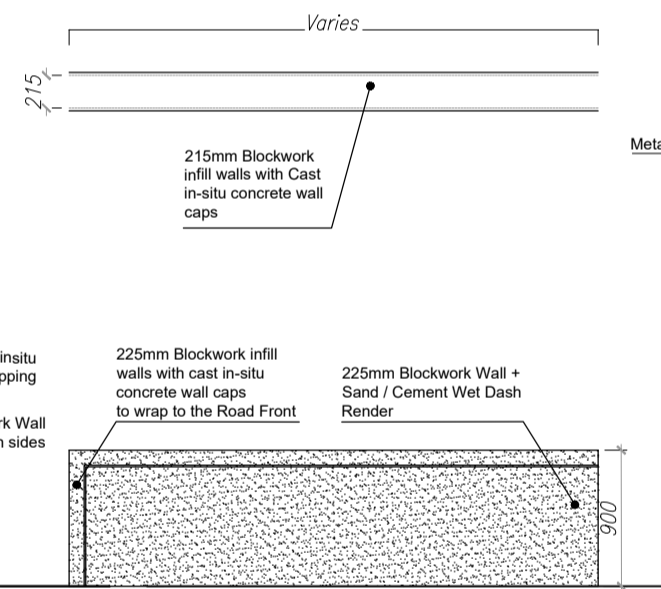


**Capping detail**  
Scale 1:5@A1.



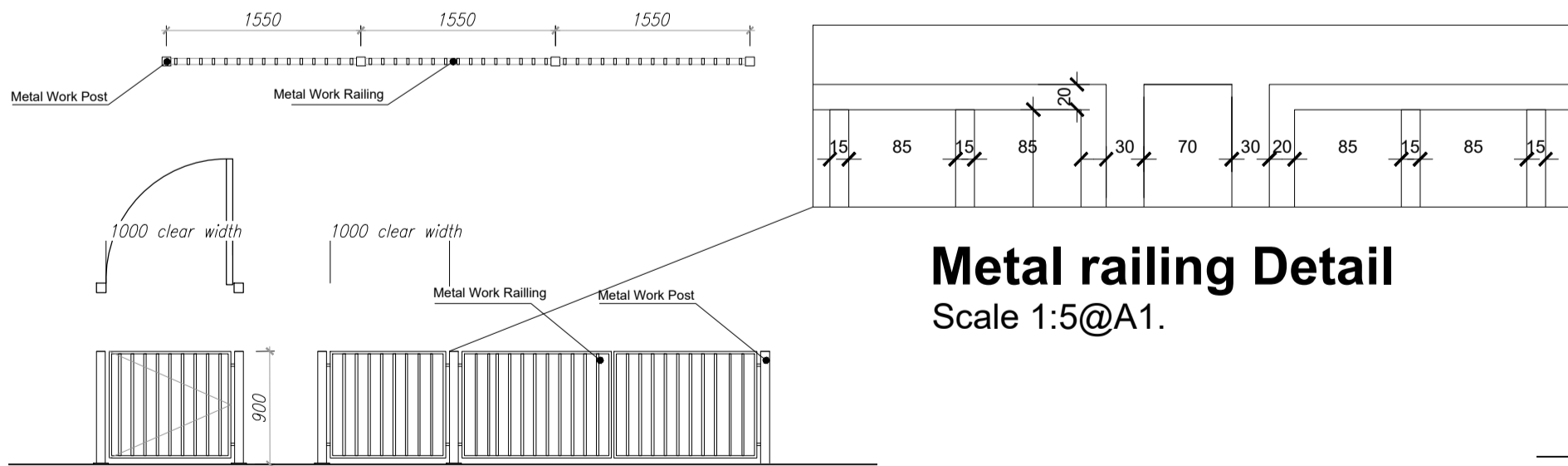
**BOUNDARY TYPE C**  
1800mm High Rendered Wall with Recessed Piers to Garden

Scale 1:50@A1

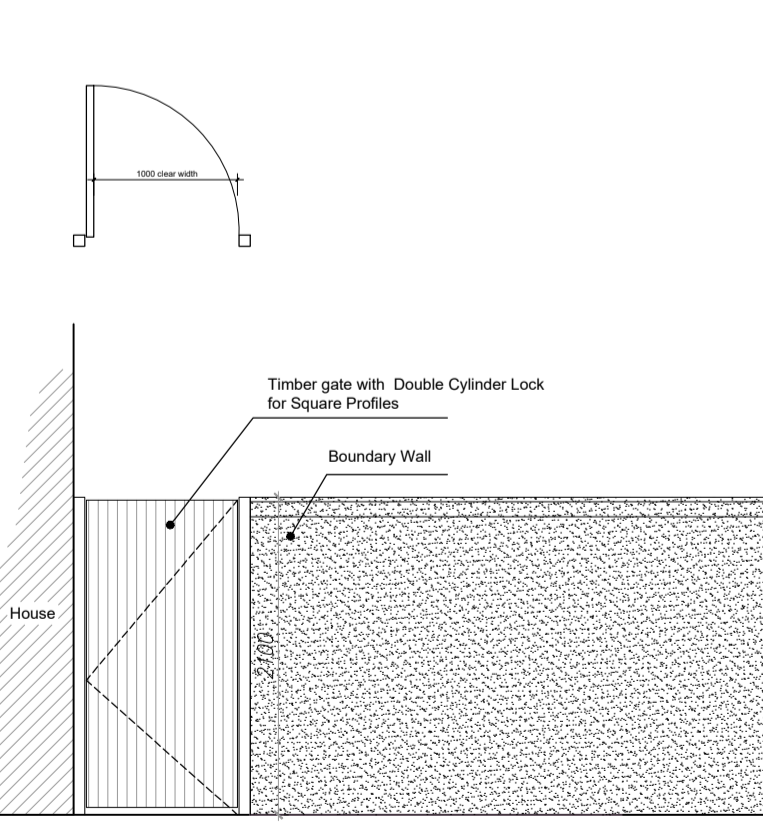


**BOUNDARY TYPE E**  
900mm High Rendered Separating Wall

Scale 1:50@A1

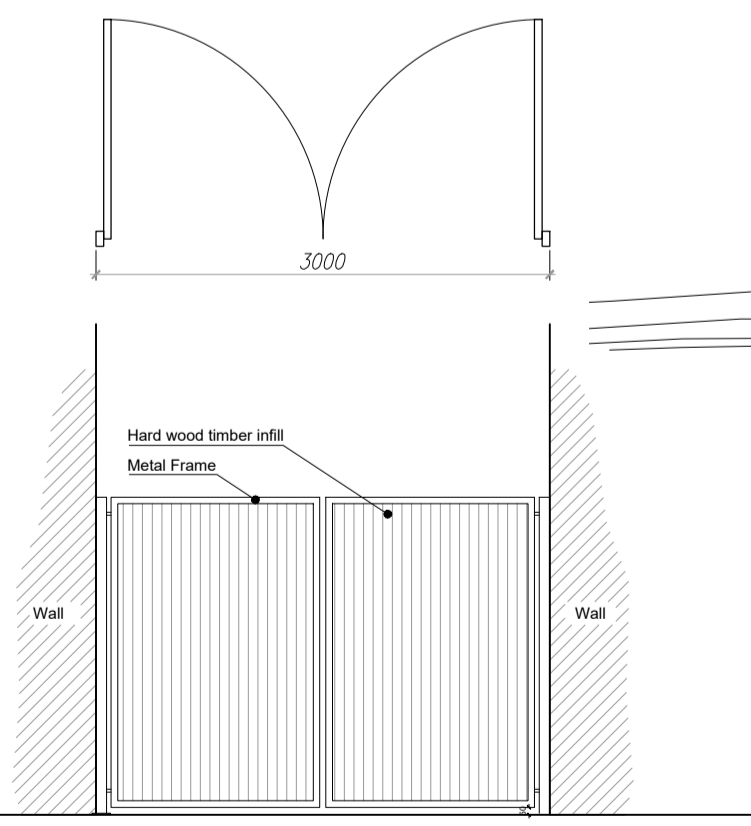


**Metal railing Detail**  
Scale 1:5@A1.



**BOUNDARY TYPE D**  
2100mm Timber Gate

Scale 1:50@A1



**BOUNDARY TYPE I**  
3000mm Steel frame with hardwood timber infill

Scale 1:50@A1

**BOUNDARY TYPE F**  
900mm High Metal Gate

Scale 1:50@A1

**BOUNDARY TYPE G**  
3600mm Metal Gates

Scale 1:50@A1

**BOUNDARY TYPE H**  
Metal Gate to fit into existing ope

Scale 1:50@A1



**Key Plan**  
Scale - NTS

- Type B\_2000mm High Rendered Wall with Recessed Piers to rear of Garden
- Type C\_1800mm High Rendered Wall with Recessed Piers to Garden
- Type D\_2100mm Timber Gate
- Type E\_900mm High Rendered Separating Wall
- Type F\_900mm High Metal Gate
- Type G\_900mm High Metal Gate
- Type H\_Metal Gate To fit into existing ope
- Type I\_3000mm Steel frame with hardwood timber infill
- Type J\_Steel frame with hardwood timber infill. To fit into existing ope
- Type K\_2100mm Weldmesh Fencing
- Type L\_1300mm High Rendered bin Wall

**NOTES:**

DO NOT SCALE FROM DRAWINGS. WORK TO FIGURED DIMENSIONS ONLY. ARCHITECT TO BE NOTIFIED OF ALL DISCREPANCIES.

REVISIONS		
DATE	DESCRIPTION	No.

<p>M<sup>C</sup>ROSSAN O'ROURKE MANNING ARCHITECTS</p>	PROJECT TITLE:	DATE:	DRAWN BY:
	St. Patricks Park, Rathangan	OCT '22	DB
	DRAWING TITLE:	SCALE:	REVISION:
	Boundary Treatment	Varies	
	JOB NO:	DRAWING NO:	
	16019.1	PL201	